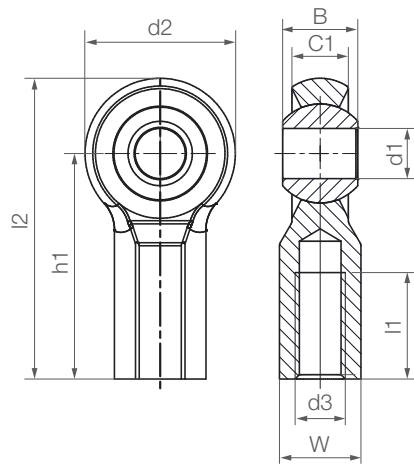


igubal® rod ends | Product Range

Rod ends with female thread, suitable for food contact: KCRM-FC



Order key

Type	Size	Version
K C R M - 06 - FC		
K series	Housing (female thread)	Suitable for food contact
Thread	Metric	
Inner Ø		

- Made from FDA and EU10/2011-compliant materials
- Self-lubricating and maintenance-free
- Optically and magnetically detectable
- In industry standard blue
- Corrosion and media-resistant
- Vibration-dampening
- Cost-effective



Material:
Housing: igumid FC ► Page 1783
Standard spherical ball: iglide® FC180 ► Page 1780

Dimensions [mm]

Part No.	d1	d2	d3	C1	B	h1	l1	l2	W	Max. pivot angle
	E10				Without stainless steel sleeve					
KCRM-06-FC	6	20	M6	7.0	9.0	30	13.5	40.0	SW10	40°

Technical data

Part No.	Max. static tensile strain		Max. static axial force	Min. thread depth	Max. torque strength	Max. torque strength through ball	Weight
	Short-term [lbs]	Long-term [lbs]	Short-term [lbs]	Thread [mm]	Male thread [ft•lbs]	[ft•lbs]	
KCRM-06-FC	292	146	89	8.0	0.74	1.48	4.3

Left-hand thread and other dimensions available upon request